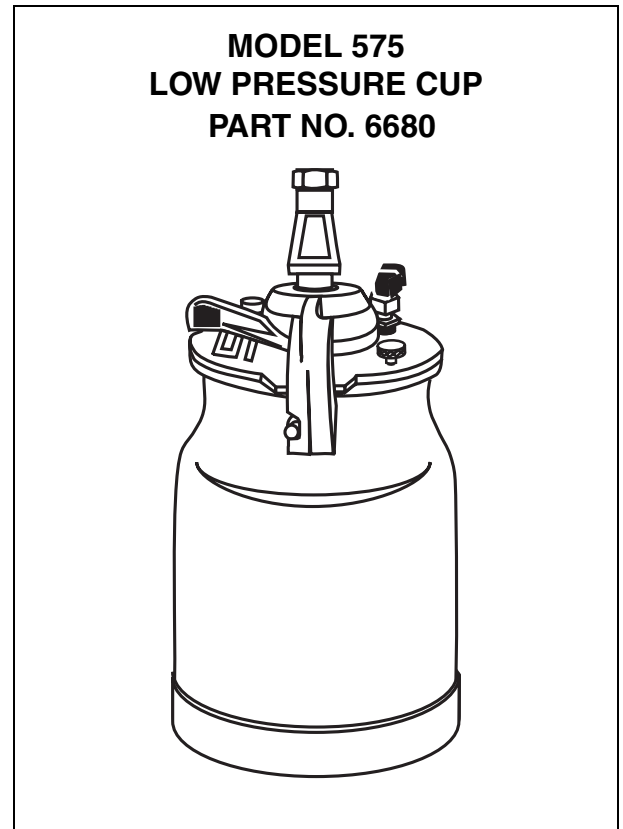
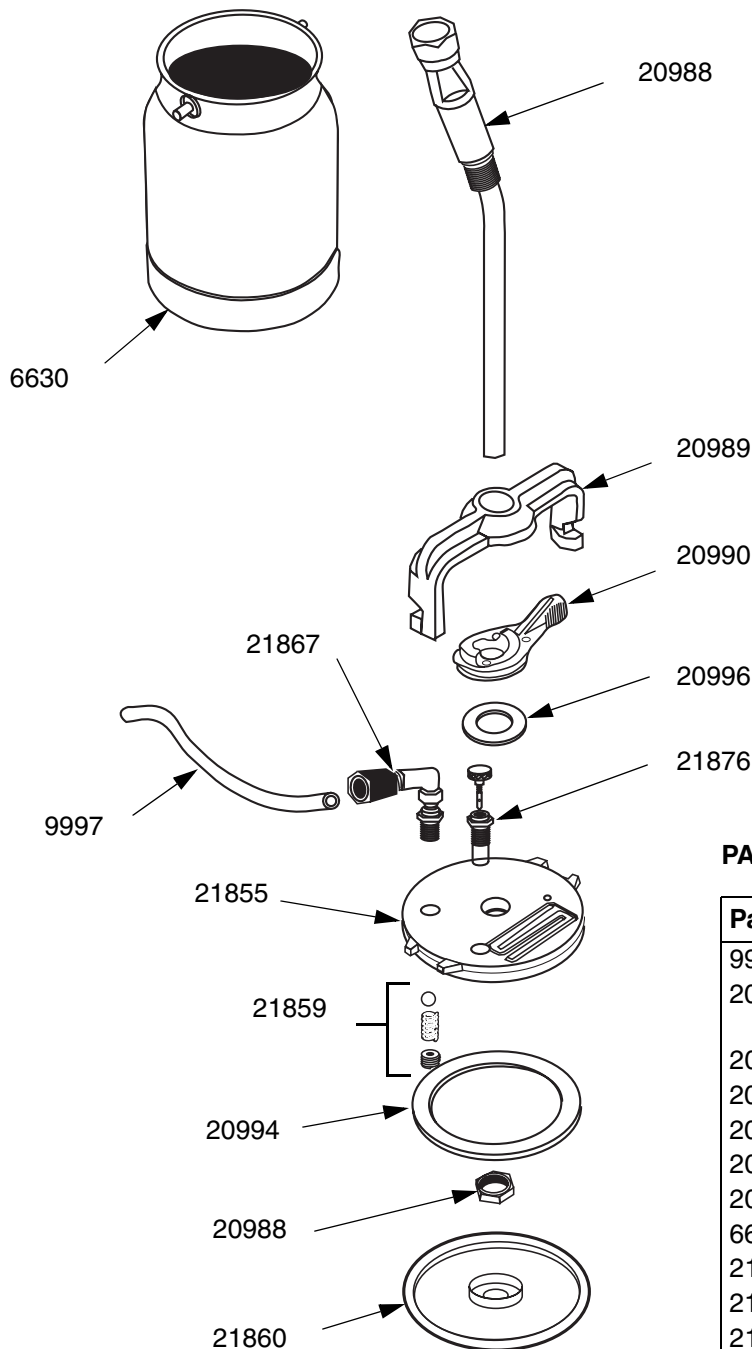


# Parts

## MODEL 575 LOW PRESSURE CUP (PART NO. 6680)



311060C



### PARTS LIST

Part No.	Description
9997	PRESSURE TUBE
20988	FLUID ASSEMBLY (includes nut stem and tube)
20989	BRIDGE
20990	LEVER
20994	GASKET
20995	LOCK NUT
20996	THRUST WASHER
6630	CANISTER
21855	LID
21859	CHECK VALVE ASSEMBLY
21860	"NO DRIP" SHIELD
21867	PRESSURE INLET FITTING
21876	RELIEF VALVE ASSEMBLY