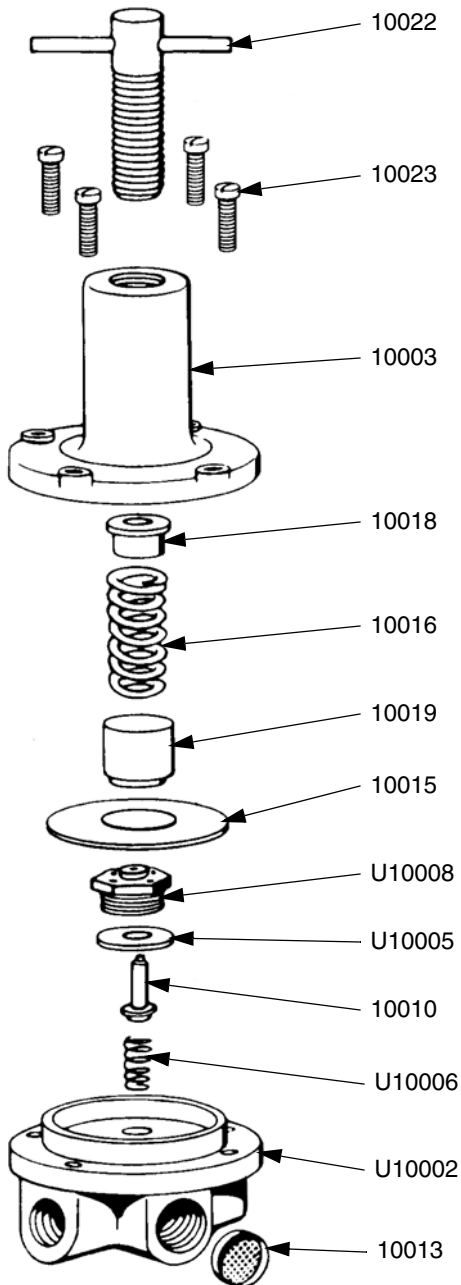


**Air Regulator**

Part No. 1630  
3 regulated outlets



**Air Regulator**

Part No. 1610  
2 regulated outlets  
1 main line outlet (bypass)

