

Medium Wave Curing System

Operator's Manual

Model SR1500



TABLE OF CONTENTS

LEGAL DISCLAIMERS2
 SUGGESTED CURE TIMES2
 SAFETY TIPS3
 PARTS LIST4
 ASSEMBLY INSTRUCTIONS5
 TROUBLESHOOTING6
 LIMITED WARRANTY7
 PRODUCT FEATURES8

LEGAL DISCLAIMERS

Read this Operator's Manual completely before attempting to use this equipment. Save this manual and keep it handy for quick reference. Pay particular attention to the safety instructions we have provided for your protection. The level of seriousness to be applied to each is explained below:

WARNING

This statement appears where information must be followed exactly to avoid serious personal injury or loss of life.

Esta declaracion aparece donde la information debe ser seguida exactamente para evitar heridas personales graves o la perdida de la vida.

CAUTION

This statement appears where information must be followed exactly to avoid minor injury or damage to equipment.

Esta declaracion aparece donde la information debe ser seguida exactamente para evitar heridas personales menores o dano al equipo.

SUGGESTED CURE TIMES*

PAINT TYPE	WATER BASED PRIMER	2 PACK PRIMER	SOLVENT BASED PRIMER	ACRYLIC ENAMEL	POLYURETHANE CLEAR COAT	HIGHT SOLIDS CLEAR COAT	2 PACK TOP COATS
CURE TIME	6 min.	30 min.	5 min.	30 min.	30 min.	25 min.	25 min.
SR1500	2 ft x 3 ft flat area coverage	2 ft x 3 ft flat area coverage	2 ft x 3 ft flat area coverage	2 ft x 3 ft flat area coverage	2 ft x 3 ft flat area coverage	2 ft x 3 ft flat area coverage	2 ft x 3 ft flat area coverage
DISTANCE BETWEEN HEATER AND CURING SURFACE	18 in.	18 in.	18 in.	24 in.	24 in.	18 in.	18 in.

* Curing times may vary slightly depending on your shop's conditions.

SAFETY TIPS

SAFETY DEPENDS ON YOU. All *Standard Infrared by SHARPE* drying products are designed and built with safety in mind. However, your overall safety can be increased by proper installation and thoughtful operation on your part. **DO NOT INSTALL, OPERATE, OR REPAIR THIS EQUIPMENT WITHOUT READING THIS MANUAL AND THE SAFETY PRECAUTIONS CONTAINED THROUGHOUT.** And most importantly, think before you act and be careful.

⚠ WARNING

⚠ WARNING

⚠ CAUTION

⚠ WARNING

⚠ CAUTION

⚠ WARNING

⚠ CAUTION

⚠ WARNING

⚠ WARNING

- First and foremost, consult with your licensed electrician about the voltage and circuit configurations installed in your shop.
- Before plugging the unit into the wall outlet, make sure surrounding areas are dry and no liquids are present on the floor or working area.
- The wheels in your unit pick up debris and small sharp objects as you roll the unit around the shop. Don't run the wheels over the power cable to avoid cuts or abrasions to the power cord's insulation.
- High wattage heaters are a source of possible ignition.
- Never block front of heater.
- Do not operate unit within 25 ft of flammable materials.
- Source of possible shock.
- Never attempt to service this unit without disconnecting from power.
- **DANGER:** To reduce risk of explosion, do not use within 10 ft of spraying operations while painting.

Medium Wave Curing System

Model SR1500

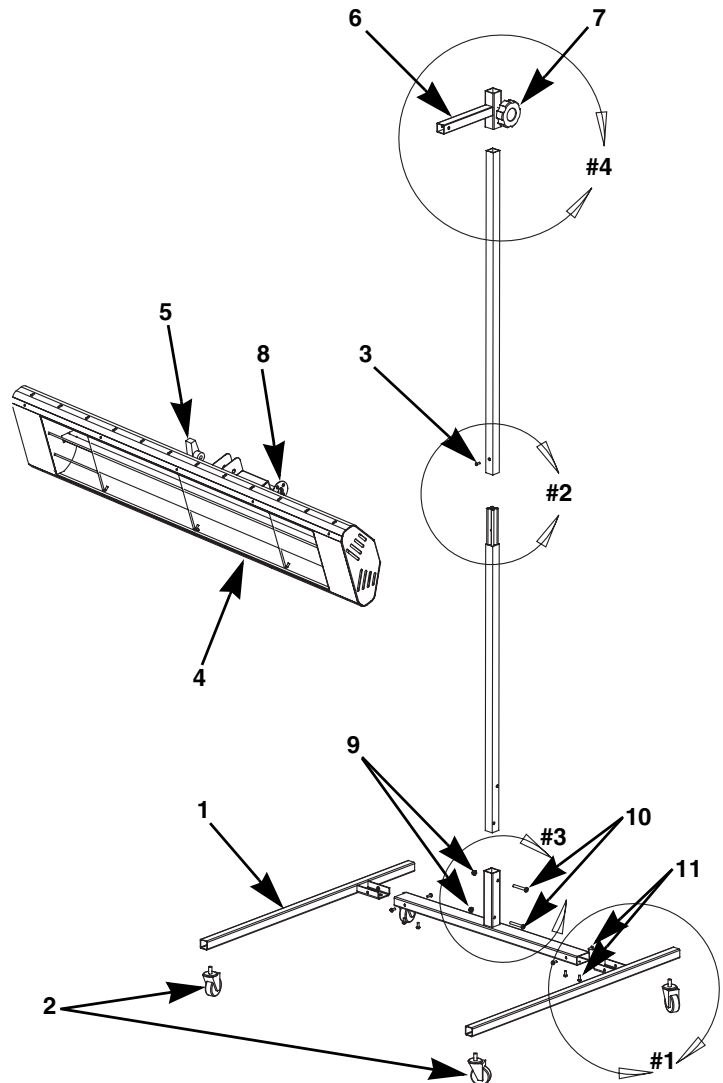
All of us at **Standard Infrared by SHARPE** would like to thank you for purchasing one of our Paint Curing Systems. We're confident you'll be pleased with the quality and performance of your new unit. You will need a Phillips screwdriver as well as a channel lock pliers for this assembly. Please read and carefully follow the assembly instructions. For your convenience, following find a list of all the parts that should come with your Paint Curing System.

WARNING!!!

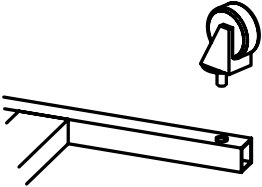
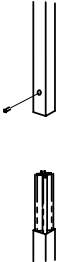
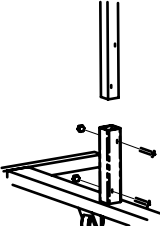
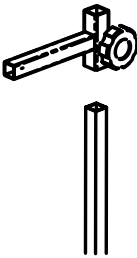
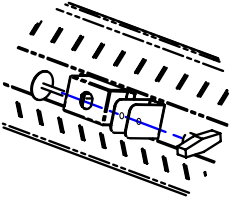
Safety depends on you. Standard Infrared by SHARPE equipment is designed and built with your safety in mind. However, your overall safety can be increased by proper installation and thoughtful operation on your part. **DO NOT INSTALL, OPERATE, OR REPAIR THIS EQUIPMENT WITHOUT READING THIS MANUAL AND THE SAFETY PRECAUTIONS CONTAINED THROUGHOUT.**

PARTS LIST

Item #	Part Number	Part Description	Qty.
1	SMP3298	Stand	1
2	HW12834T61	Caster, 2", swivel	4
3	HW191099A265	Screw, FH-U, 8-32 x .5	1
4	SMP5378	Emitter Assembly	1
	ELMW150012031	Replacement, light, bulb, medium wave (not shown)	1
5	HW165035K15	Knob, two arm, 1/4-20 x 2.5	1
6	SMP3341	Saddle Slide Assy	1
7	HW157715K67	Round 2" Knob	1
8	HW193548A548	Bolt, carriage	1
9	HW190648A029	Nut, lock Nylox, 1/4-20	2
10	HW190272A547	Screw, PH 1/4-20 x 1.75	2
11	HW190402A829	Screw, PH 10/32 x.5	8



ASSEMBLY INSTRUCTIONS

<p>Step 1 After carefully unpacking your unit, check that all the listed parts are enclosed.</p>	
<p>Step 2 Assembling the unit's base. Attach both left and right legs to the base center beam (3). Make sure that the threads line up with holes so screws can be properly secured. See Diagram #1.</p>	 <p style="text-align: center;">DIAGRAM #1</p>
<p>Step 3 After joining the base together, position it upside down. Install casters with the base in the upside down position as shown on Diagram #1. You can use finger pressure to thread the 4 casters in their respective holes. Please note: Be sure that a nut and lock washer is placed on the threads of caster before mounting onto base frame. Refer to Diagram #1.</p>	
<p>Step 4 Using a Phillips screwdriver, join the upper and lower masts with provided screw. Make sure hole aligns properly before tightening. See Diagram #2.</p>	 <p style="text-align: center;">DIAGRAM #2</p>
<p>Step 5 After joining the mast, slide it into position at the bottom of the stand. Align holes correctly, insert bolts and nuts and tighten with Phillips screwdriver as shown on Diagram #3.</p>	 <p style="text-align: center;">DIAGRAM #3</p>
<p>Step 6 Thread 2 in. round knob into mast saddle. Slide saddle into desired position. Tighten with round knob to adjust to proper height. See Diagram #4.</p>	 <p style="text-align: center;">DIAGRAM #4</p>
<p>Step 7 Carefully remove the bulb's protective packing before attaching the emitter to the saddle. Please note: Quartz and Iridium bulbs should never be touched with bare hands. Use a cloth to grab and install light bulb. Tighten T-knob and weld screw to secure emitter assembly into desired position as shown in Diagram #5.</p>	 <p style="text-align: center;">DIAGRAM #5</p>
<p>Step 8 Congratulations! Your Mobile Dryer is now set and ready to go. Simply plug in unit and turn switch on.</p>	

TROUBLESHOOTING

Problem	Possible Cause	Suggested Remedy
Can't assemble unit	Lack of hardware	Call 1-800-742-7731 to obtain replacement hardware.
Light doesn't turn on	Power is off	Turn power on and try again.
Light doesn't turn on	Light bulb is damaged	Call 1-800-742-7731 to obtain replacement light bulb.
Light comes on momentarily and then goes off	Faulty bulb connection	Make sure bulb is properly installed.
Light comes on momentarily and then goes off	Circuit overload	Check your circuit's load rating and plug unit in a different circuit if needed.
Unit takes a while to warm up	Medium Wave units use quartz bulbs - this is normal operation	Wait for unit to reach desired temperature.
Light bulb 'bubbles up' along its element	Oily fingers	Quartz and Iridium bulbs should never be touched with bare hands. Use a cloth to grab and install light bulb.

LIMITED WARRANTY

Effective February 1, 2002

This warranty supersedes all previous Standard Infrared warranties and is exclusive, with no other guarantees or warranties expressed or implied.

WARRANTY INFO

LIMITED ONE YEAR WARRANTY ON ALL PRODUCTS

The manufacturer warrants to the original purchaser that the unit is free of defects in materials to the original purchaser that the unit is free of defects in materials and workmanship under normal use and maintenance for a period of one (1) year from the date of original purchase. Bulb replacement will be prorated from time of purchase.

If the unit fails within the one (1) year period, it will be repaired or replaced, at the manufacturer's option, at no charge, when returned prepaid to the Manufacturer's Service Center with Proof of Purchase. The sales receipt may be used for this purpose. Installation labor is not covered under the warranty. All replacement parts, whether new or remanufactured, assume as their warranty period only the remaining time of this warranty.

This warranty does not apply to damage caused by improper use, accident, abuse, improper voltage, service, fire, flooding, or other acts of nature, or if the product was altered or repaired by anyone other than the Manufacturer's Service Center.

The Manufacturer, under no circumstances shall be liable for any consequential damages for breach or any written warranty of this unit.

This warranty gives you specific legal rights, and you may also have rights, which vary, from state to state.

THIS WARRANTY IS NOT TRANSFERABLE.

DISCLAIMER

Because we are committed to continuous product improvement, we reserve the right to change models, specifications, or materials at any time. We have made every effort to provide complete and accurate information and do not claim responsibility for any errors that may be found.

PRODUCT FEATURES

Mobile Paint Dryers:

- All Mobile Paint Dryers carry a 1-year limited warranty.
- Sturdy, all metal construction and adjustable pole heights and casters on rollers for easy maneuverability and wide stance for maximum stability.
- Independent head/cassette adjustment for greater control and accuracy while drying or curing.
- Scratch resistant powder coating throughout the unit provides lasting good looks.
- CAD design in bulb enclosure insures the most even heat distribution.
- Portable units eliminate spray booth bottlenecks.
- Made in the USA.



SHARPE MANUFACTURING COMPANY
P.O. BOX 1441
MINNEAPOLIS, MN 55440-1441
1-800-742-7731
www.sharpe1.com
Printed in USA
311445A 2/2006