

Universal Siphon Cup

Models 400 and 450

310593D

ENG

For use with a spray gun for siphon feed spraying of automotive colors and clears.



Important Safety Instructions

Read all warnings and instructions in this manual and in your gun manual. Save all instructions.

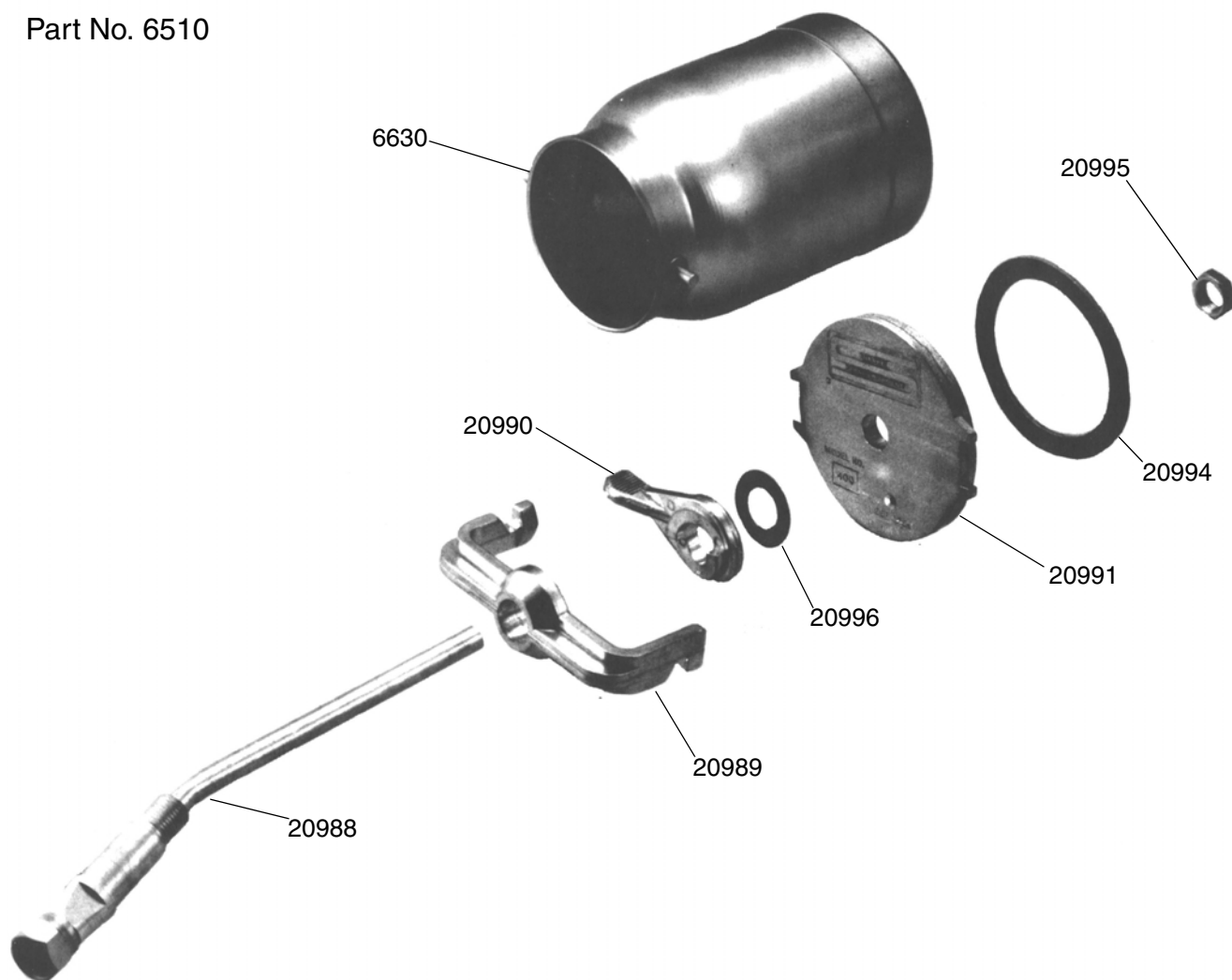


HO03

UNIVERSAL SIPHON CUP

Model 400: 1 Quart Aluminum Siphon Cup

Part No. 6510



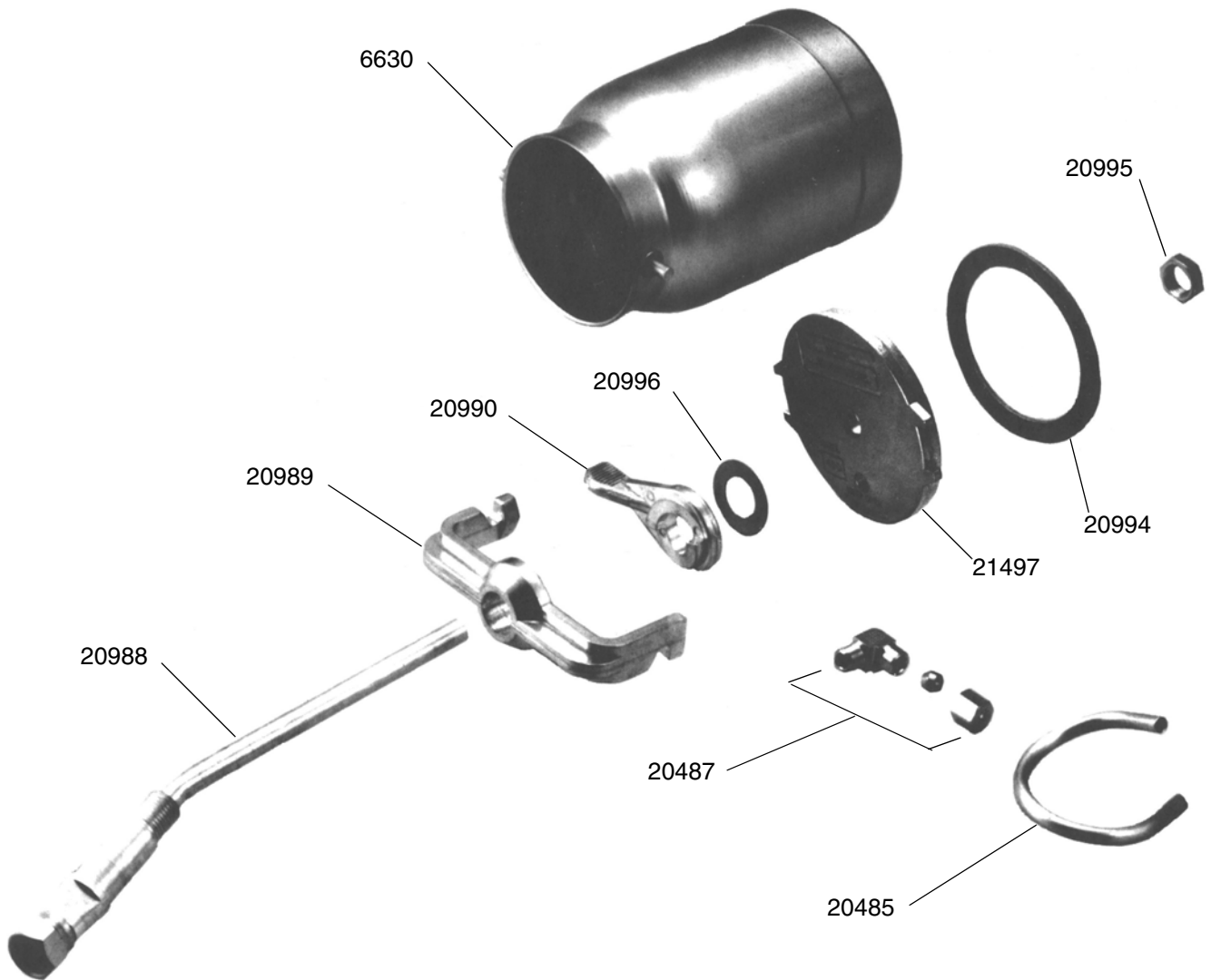
Parts

Part No.	Description
20988	Fluid Tube Assembly (Includes Nut, Stem & Tube)
20989	Bridge
20990	Lever
20991	Lid
20994	Gasket
20995	Lock Nut
20996	Thrust Washer
6630	Cup

UNIVERSAL SIPHON CUP

Model 450: 1 Quart Aluminum Siphon Cup - No Drip

Part No. 6610



Parts

Part No.	Description
20485	No-Drip Tube
20487	No-Drip Elbow (Includes Nut & Ferrule)
20988	Fluid Tube Assembly (Includes Nut, Stem & Tube)
20989	Bridge
20990	Lever
20994	Gasket
20995	Lock Nut
20996	Thrust Washer
21497	Lid
6630	Cup

1 Year Limited Warranty

Sharpe warrants this product to the original user against defective material or workmanship for a period of 1 year from the date of purchase.

Sharpe reserves the right to determine whether the part or parts failed because of defective material, workmanship, or other causes. Failures caused by accident, alteration, or misuse are not covered by this warranty.

Sharpe, at its discretion, will repair or replace products covered under this warranty free of charge. Repairs or replacements of products covered under this warranty are warranted for the remainder of the original warranty period.

Sharpe or its authorized service representatives must perform all warranty repairs. Any repair to the product by unauthorized service representatives voids this warranty. The rights under this warranty are limited to the original user and may not be transferred to subsequent owners.

This warranty is in lieu of all other warranties, expressed or implied, including warranties of merchantability and fitness for a particular purpose. Some states do not allow the exclusion or limitations of incidental or consequential damages, so the above limitations may not apply to you.

Sharpe Information

TO PLACE AN ORDER, contact your SHARPE distributor or call 1-800-742-7731 or visit our website at www.sharpe1.com.

Product Registration

Thank you for the purchase of your Sharpe® product. We greatly appreciate your business.

Important reasons to register your product:

- Registration enables Sharpe to notify you if there is a problem with your product.
- Improved Product Development - Your input helps us continue to design products that meet your needs.

For the most up-to-date information and to register your product, please go to www.sharpe1.com and click on "Register Product."

All written and visual data contained in this document reflects the latest product information available at the time of publication. Graco reserves the right to make changes at any time without notice.

Original instructions. This manual contains English. MM 310593

SHARPE MANUFACTURING • P.O. BOX 1441, MINNEAPOLIS, MN 55440-1441
1-800-742-7731, www.sharpe1.com

Copyright 2006, Graco Inc. is registered to ISO 9001
Revised 02/2011